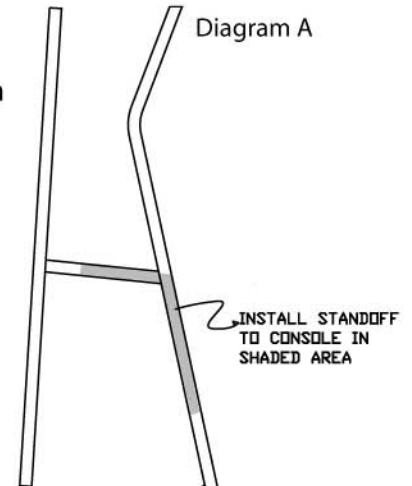




Atlantic Standard T-top Install Instructions

- 1 Clamp the legs to the top frame using 14-20 x 1" Allen head cap screws at the appropriate width for your console. Be sure the top is centered.
- 2 Mount the legs to the deck using 1/4-20 x 1 1/2" machine screw, washer, locknut, and backing plate.
- 3 Install Standoff kit in both legs to the console, anywhere in the gray area [Diagram A] where you can use a backing plate. Trim the 4" Delrin spacer to the appropriate length.
- 4 Attach any accessories to the frame of the top such as lights or rod holders.
- 5 Following the pictures below lace the fabric to the frame of the top.



Temporarily fasten fabric to frame by wire tie or rope.



Fold length of line in half, and put over the pipe and through eyelet.



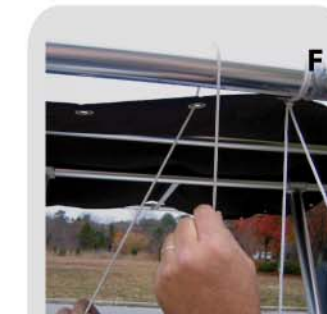
Pull folded end of line through about 6".



Put the long length of line through the loop.



Use one half of line for each half of the top. Take the line from under the top and put it up through the eyelet.



Bring the line over the pipe and down to the right side of line in "E".



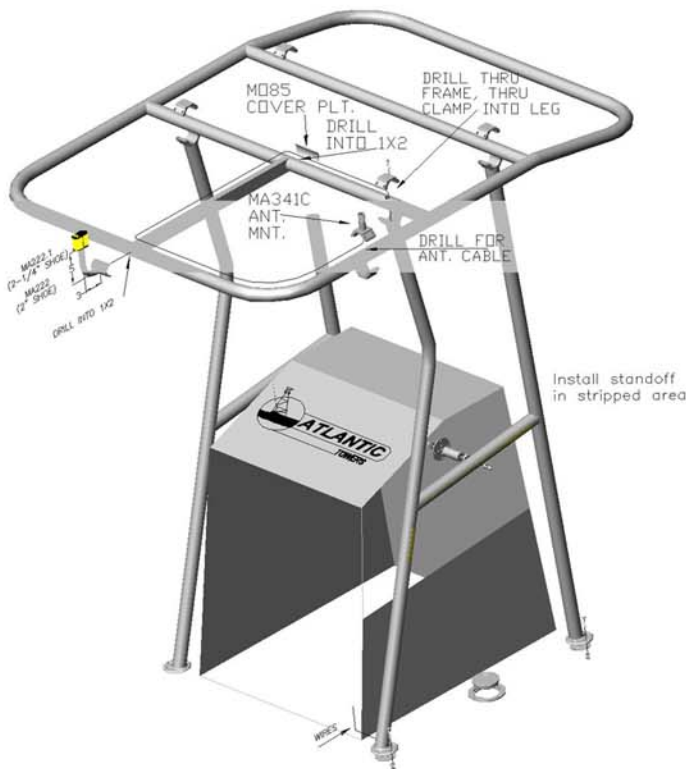
Repeat step E and F around the top on both sides. Then tie two sides together and tighten

* In cases where the standoff kit is not installed in the cross member between the legs, but down on the legs towards the deck; or a electronic box is installed you may find the T-top structure has some lateral movement. If you feel this is the case bolt-on sway braces can be purchased from our parts department at 1-800-831-8889



Bolting the T-top to the deck of a Center Console Boat.

Examine your boat carefully to see if you can obtain access to the underside of the deck for installation of the supplied back up plates for the four T-top legs. Examine the area inside the console checking for removable plates and the "tunnel" for cables and hoses running to the transom area. If you cannot access the underside of the deck for all four legs, here are two suggestions.

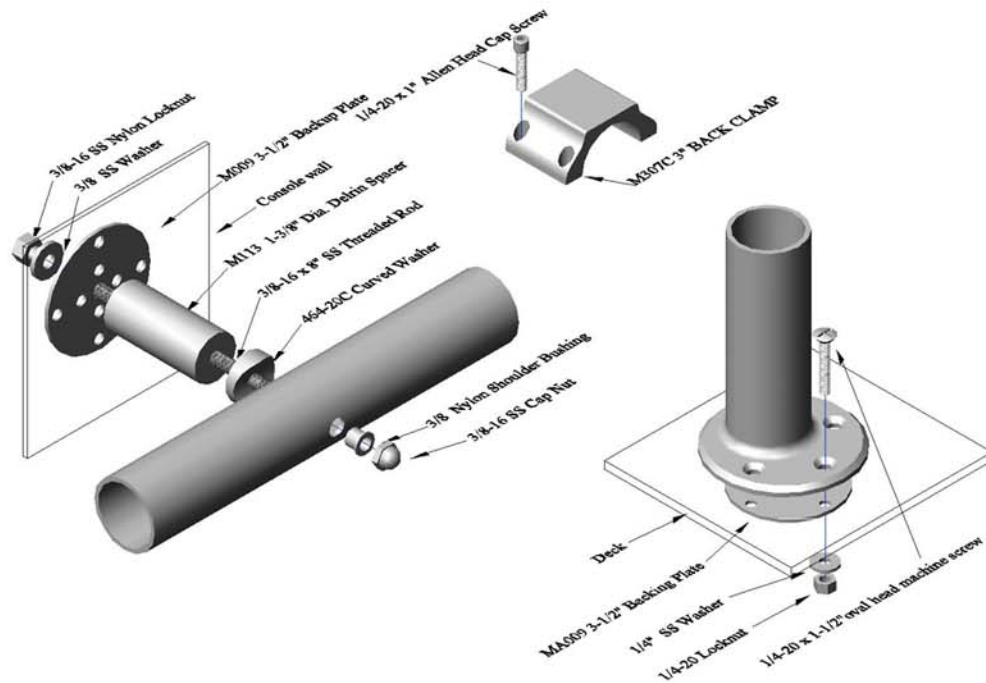


1) Install a Beckson Deck Plate

(www.beckson.com) outboard of the console and between the T-top Legs. The 6 1/2" hole for a 6" deck plate will normally allow the installer to reach both the forward and aft leg on one side of the T-top to install the backing plate. If you need access to only one leg, a smaller deck plate can be installed closer to the mounting area.

Wiring your Trampoline T-top

With a little effort, you can conceal all your wiring and antenna cables inside the hollow framework of the Trampoline T-top. Normally the rear legs of the top are used to run wiring into the boat or console. If you can reach the underside of the legs, drill a hole in the base pads and deck before mounting and run the wires thru. Or, drill a hole in the leg, just above the base pad, bring your wires out and into the console. Wires can be run in the top by drilling from one frame member into another. The holes can then be covered by plates made especially for that purpose (see options sheet) or by other bolt on fittings and accessories, such as the anchor/running light, antenna base, etc. The diagram shows suggest wire and antenna cable routing.



2) Install the leg with #14 oval or flat head stainless screws set in epoxy. Drill a larger than normal pilot hole for the #14 screws. Mark your drill bit, or use a stop to allow the hole to be drilled nearly to the underside of the deck, but not all the way through. Fill the hole with catalyzed epoxy resin (if you have drilled all the way thru the resin will just run out, try plugging the bottom of the hole with a "ball" of tape) Drive the screws while the epoxy is wet. Use an adhesive such as 5200 under the base of the leg instead of caulking. After the installation allow time for everything to fully cure. 5200 can take up to 7 days to reach a full cure. When using adhesives it is extremely important that all surfaces be clean and dry.

Installers must use good judgment in determining if the fastening method is adequate. Tremendous forces may be applied to the T-top under extreme weather and sea conditions. Inspect mounting points regularly. Serious injury or death may result from inadequate mounting.

Note: If you drill any holes in the T-top legs for any reason, you must drill a 1/8" drain hole 1/2" above the base in each leg. If water can get in, it must have a way to get out. In Colder areas, it will freeze and split the leg. Ditto for the Top Frame. If you drill holes to run wires or mount other gear, you must drill a 1/8" drain hole at each corner of the frame on the lower surface.

Model	Port Leg*	Starbd Leg*	Top Frame for Fabric	Top Frame for Fiberglass	Installation Kits
TTS5152/55	TTS51	TTS52	TTS55	TTS55.1	13,23
TTS5152/55GR	TTS51	TTS52	TTS55GR	TTS55.1GR	13,23
TTS5354/55	TTS53	TTS54	TTS55	TTS55.1	13,23
TTS5354/55GR	TTS53	TTS54	TTS55GR	TTS55.1GR	13,23
TTS6162/55	TTS61	TTS62	TTS55	TTS55.1	13,23
TTS6162/55GR	TTS61	TTS62	TTS55	TTS55.1GR	13,23

* Legs which have been custom fitted with weld-in hinge disconnects designated with suffix "X"

Top Options

Black Sunbrella	TTS56				N/A
White Sunbrella	TTS57				N/A
Green Sunbrella	TTS58				N/A
Blue Sunbrella	TTS59				N/A
Fiberglass (white)	TTF85				26

KIT #13	Quantity	Part #	Item Description
	2	464-20C	Curved Washer for 1 1/2" Pipe
	2	M113	1 3/8 x 4 Delrin Spacer
	2		3/8-16 x 8" SS Threaded Rod
	2		3/8-16 SS Cap Nut
	2		3/8-16 SS Nylon Locknut
	2		3/8 SS Flat Washer
	2		3/8 Nylon Shoulder Bushing
	2	M429	3 1/2" Backup Plates

KIT #23	Quantity	Part #	Item Description
	4	M307C	3" Back clamp
	4	M429	Backing Plates
	12		1/4 -20 x 1 1/2" Oval Head M/S
	12		1/4" SS flat washer
	12		1/4-20 Locknut
	16		1/4 - 20 x 1" Allen head cap screw
	72	TTS70A	Braided nylon line/ft.

KIT #26	Quantity	Part #	Item Description
	40		#6 x 1" oval hd phillids sms
	40	MP121	ProDec Snap Caps White
	40	MP123	ProDec Washers nylon